

## ONYX™

# Large Capacity Lithium Ion Batteries For Standby Power Applications

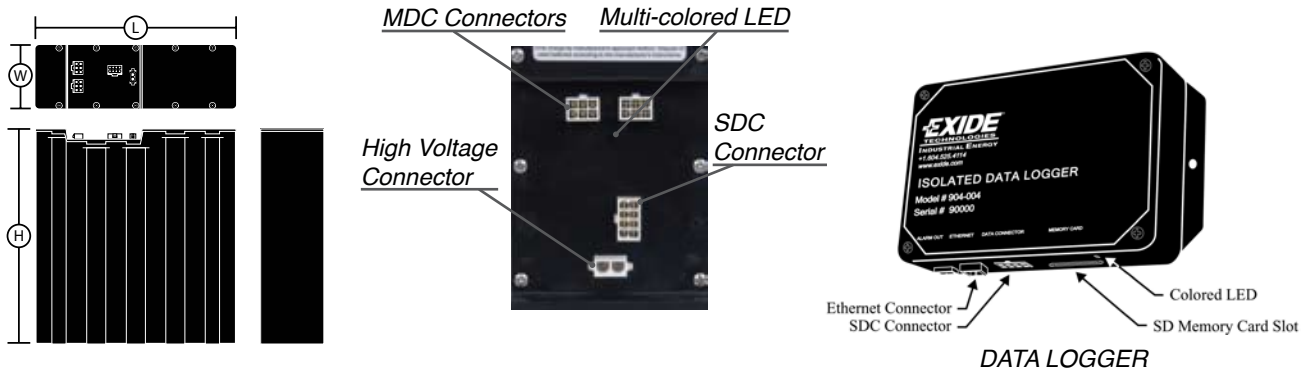
### ONYX™ Features:

- **Lithium Ion Chemistry**  
Lightweight, high performance cells
- **Integrated Battery Management System (BMS)**  
Controls critical functions to ensure safety and reliability
  - Monitors voltage and current
  - Protects the battery in the event of over-charge and over-discharge
  - Performs “State of Charge” calculation
  - Performs “State of Health” calculations
  - Performs cell balancing within the module
  - Internal memory to track operating conditions
- **Integrated Status Indicator**  
Red/Green LED visually indicates battery status
- **Horizontal or Vertical Operation**
- **Design Life on Float**  
10 Years at 25°C/77°F per Telcordia GR-3150-CORE Section 5.1.4
- **Available Data Logger with Remote Access Capabilities**



## ONYX™ Capacity, Dimensions and Weight

Model Number	Nominal Voltage	Nominal Capacity (Ah) 8hr rate at 25°C	Dimensions						Weight		Certifications
			Inches			Millimeters			lbs	kg	
			L	W	H	L	W	H			
M70X24V068P	+24	68	10.7	3.4	14.4	273	86	366	29.5	13.4	in progress
M70X48V010P	+48	10	10.1	3.4	5.9	256	86	150	8.8	4.0	in progress
M70X48V024P	+48	24	10.1	3.4	10.7	256	86	272	19.4	8.8	in progress
M70X48V034P	+48	34	10.1	3.4	14.4	256	86	366	27.3	12.4	in progress
M70X48V010N	-48	10	10.1	3.4	5.9	256	86	150	8.8	4.0	in progress
M70X48V024N	-48	24	10.1	3.4	10.7	256	86	272	19.4	8.8	NEBS 1 & 3, UN 38.3
M70X48V034N	-48	34	10.1	3.4	14.4	256	86	366	27.3	12.4	in progress



## ONYX™ Specifications

	+24V Line	-48V Line	+48V Line
Applied Charge Voltage	29.0 +/- 0.3V	53.8 +/- 0.5V	53.8 +/- 0.5V
Operating Temperature	-20°C to +60°C / -4°F to 140°F		
Minimum Charging Temperature	0°C / 32°F		
Discharge Cut-Off	22.6V	42V	42V
Maximum Discharge Current	15A	10A	15A
Installation Orientation	Bottom, side or end		
Storage Temperature	-20°C to +45°C		
Alarm and Monitoring	Dry contact, Data logger with alarming, Internet (TCP/IP)		
Battery Status Indicator	Multi-Colored LED		

**Note:** Design and/or specifications are subject to change without notice. Do not use for detailed design of equipment or facilities.

If questions arise, contact your local Exide Technologies Industrial Energy sales representative for clarification.

### Exide Technologies Industrial Energy

USA - Tel: 877.462.4636

Canada - Tel: 604.525.4114

www.exide.com